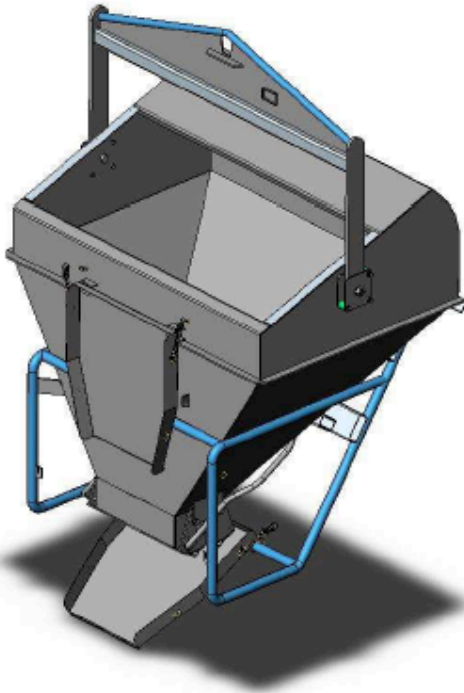


Type CKL30 Concrete Laydown Kibble



Concrete Kibbles have been designed for easy transfer of concrete on site by overhead crane.

The type CKL30 Concrete Laydown Kibble is a heavy duty roll-over style Kibble for use by overhead crane. This style Kibble is suitable for large applications having a Safe Working Load of 7500kg and a volume capacity of 3.0 cubic metres. The type CKL30 Kibble can be used for both bottom discharge or front discharge with the use of the adjustable chute. This unit is lever operated from either side, allowing flexible operation. The unit has been fitted with Forklift pockets for transport purposes about the work site and has a storage facility for the chute (shown opposite).

SPECIFICATIONS:

- Safe Working Load (SWL) 7500kg
- Volume Capacity 3.0 cubic metres
- Unit Weight 1170kg
- Fork Pocket Size 165 x 65mm
- Fork Pocket Centres 535mm
- Painted 'Safety Yellow' enamel

